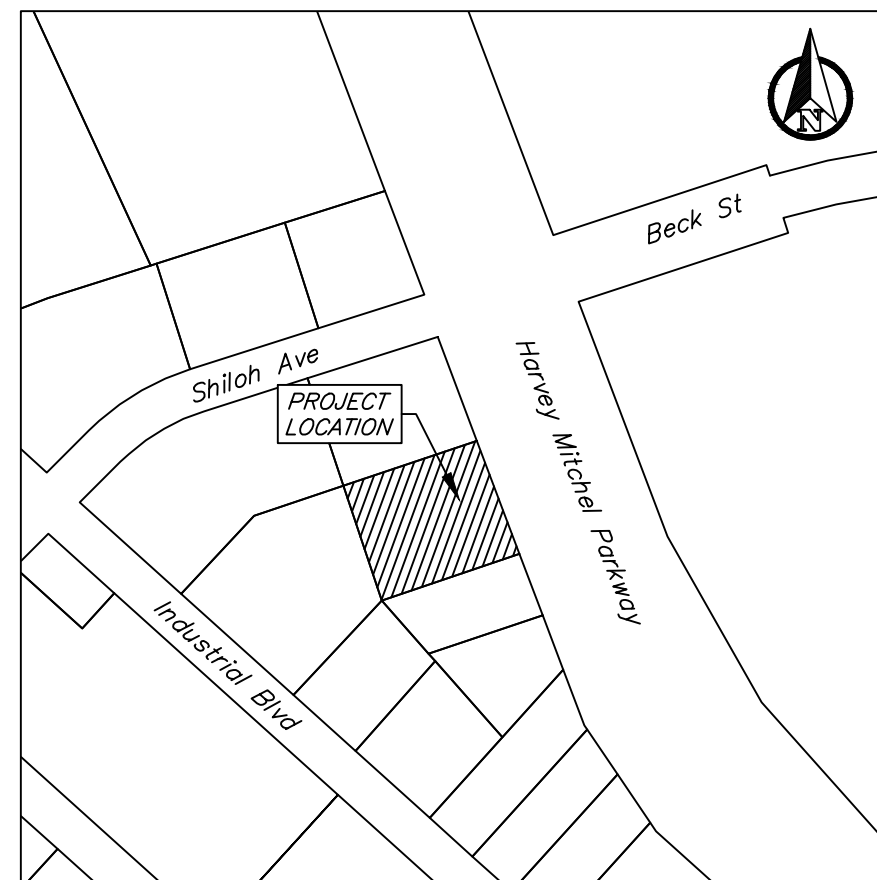


*Texas Communication*  
 1389 N. Harvey Mitchell Parkway  
 Bryan, Brazos County, Texas



*VICINITY PLAN*  
 N.T.S.

*OWNER/DEVELOPER:*

**Broadband Towers, LLC**

2700 Thornberry Drive  
 Bryan, TX 77808

*ENGINEER:*

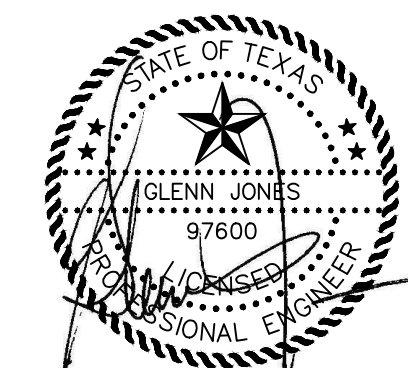


Firm # 9951  
 PO Box 5192  
 Bryan, Texas 77805  
 979-739-0567

Index of Drawings	
Sheet Number	Sheet Title
C1	Notes
C2	Site Plan
C3	Grading & Detention Plan
C4	Landscape & Pavement Plan



Know what's below.  
 Call before you dig.



The seal on this document was authorized by Glenn Jones #97600 on this date, March 16, 2023. Alteration of a sealed document without proper notification to the responsible engineer is an offense under the Texas Engineering Practice Act.

**RELEASED FOR  
 CONSTRUCTION**

March 2023



**General Notes:**

- 1. The contractor shall promptly notify the engineer of any discrepancies between these plans and other drawings of differing disciplines & specifications.
2. The contractor is specifically cautioned that the location and/or elevation of the existing utilities as shown on these plans is based on records of the various utility companies and, where possible, measurements taken in the field.
3. Contractor to verify all underground utilities in the field prior to construction.
4. It is the responsibility of the contractor to comply with all state and federal regulations regarding construction activities near energized over head power lines.
5. The contractor shall be responsible for the protection of all existing utilities or service lines that are crossed or exposed during construction operations.
6. During the execution of the work, the contractor shall maintain the project site in an orderly and acceptable manner as far as practical.
7. Contractor is responsible for OSHA established trench safety as described in the federal register 29 CFR Part 1926.
8. A copy of the approved construction plans shall be kept on site at all times throughout the entire construction of the project.
9. The contractor shall be responsible for safeguarding and protecting all material and equipment stored on the jobsite.
10. Contractor to store materials at location(s) approved by & coordinated with the owner.
11. Contractor shall saw cut remove and replace concrete pavement, and curb & gutter as required to construct proposed improvements.
12. It shall be the responsibility of the contractor to pay for and obtain all required permits and inspection approvals for all work shown.
13. Any adjacent property and right-of-way disturbed during construction will be returned to their existing condition or better.
14. All exposed dirt surfaces shall be seeded, hydro-mulched, or sodded.
15. The contractor shall not create a dirt nuisance or safety hazard in any street or driveway.
16. Adequate drainage shall be maintained at all times during construction and any drainage ditch or structure disturbed during construction shall be restored to existing conditions or better.
17. The contractor shall coordinate all fence removal and replacement with the Owner.
18. The contractor shall protect all monuments, iron pins, and property corners during construction.
19. The contractor must provide construction staking from the information provided on the plans.

**General Utility Note (Private & Public):**

- 1. All excavation for underground utilities shall be made true to grade. Excavation shall be made a minimum of six inches below the required grade and provide a sand bed for the piping.
2. Utility installations in non-structural areas shall be bedded and initial backfill consistent with non-structural requirements.
3. Adequate elevations shown for manhole rims, clean-out covers, or grates, these items shall be placed flush with the pavement elevations and slopes.
4. Contractor shall uncover existing utilities at all "points of interest" to determine if conflicts exist before commencing and construction.
5. The contractor shall coordinate all utility installation so that grade critical elements (i.e. storm drain, sanitary sewer, etc.) do not conflict with non-grade critical elements (i.e. electrical conduit, water services, etc.).
6. The contractor shall furnish all materials, equipment, and labor for excavation, boring, installation, and backfilling of utility lines and relates appurtenances, as shown on the plans.
7. The loading and unloading of all pipe and other accessories shall be in accordance with the manufacturer's recommended practices and shall, at all times, be performed with care to avoid any damage to the material.
8. Contractor shall be responsible for coordinating all connections to public systems and installations with regulatory inspector.
9. This project shall be built by means of open cut except as noted on the drawings.
10. Structural backfill will be required for all excavation within 5 feet of public roadway pavements or walks.

**Private Utility Notes:**

- 1. The contractor shall install the proposed private utility lines in accordance with local codes, latest national plumbing code, and all applicable state and local laws.
2. It shall be the responsibility of the contractor to pay for and obtain all required permits and inspection approvals for all work shown.
3. The contractor shall coordinate all installations of service lines, conduits, meters, etc., with the appropriate utility company.

**Water Line Notes (Public & Private):**

- 1. All domestic water line pipe shall be constructed out of PVC (Sch 40). Public or fire water line pipe shall be constructed out of C900-DR14 and public services shall be copper.

**Storm Sewer Notes (Private):**

- 1. All 15 inch to 42 inch storm sewer pipe, shall be constructed out of reinforced concrete pipe (RCP), C443 ASTM C76, Class III except as noted.
2. All 6 inch to 12 inch storm sewer pipe, except as noted, shall be HDPE. SDR-35, ASTM D-3034, PVC pipe may be used in place of HDPE pipe.
3. Contractor shall provide a minimum of 12 inch clearance at storm sewer and water line crossings and a minimum of 6 inch clearance at storm sewer and sanitary sewer crossings.
4. Unless otherwise specified, the contractor shall install all storm sewer pipe in accordance with the trench detail contained in these construction drawings.

**Demolition & Construction Notes:**

- 1. Demolition of existing structures and improvements shall include all work contained on these plans, but shall not be limited to the items specially identified.
2. It shall be the responsibility of the contractor to stage and sequence all demolition work with utility companies to provide minimal interruption and inconvenience of utility services.
3. Demolished surplus material shall be legally disposed of off-site.
4. All pavement edges, bounding the construction area & matching with new construction, shall be neatly sw cut, unless gravel.
5. The contractor shall clear all right-of-ways and easements contained in these construction drawings.
6. The contractor shall field verify and locate all existing utilities on site prior to demolition.
7. The contractor shall perform demolition activities as noted and shown on these plans and as directed by the owner/ developer.
8. It shall be the responsibility of the contractor to obtain any permits and pay any fees required for demolition and disposal from the appropriate authorities.
9. The contractor shall install all erosion and sediment control devices prior to commencing demolition work.
10. The contractor is responsible for the protection of all utilities that are to remain in place.
11. The contractor shall take all precautions to avoid damage to any existing road surface.
12. All existing items that are to remain in place which are damaged during construction shall be restored to original condition, or better, at the sole expense of the contractor.
13. Should any existing utilities not shown or shown incorrectly on this plan be found on site, the contractor shall contact the engineer immediately to discuss any possible conflicts before proceeding with any work in that area.
14. An asbestos survey must be performed prior to the demolishing of any structures. The contractor shall adhere to the requirements set forth in the asbestos survey and report.

**Dimensional Control Notes:**

- 1. The contractor may obtain an electronic copy of these plans for construction purposes.
2. All dimensions shown are to be used in conjunction with these plans for locating all improvements and shall be field verified by the contractor for workability prior to construction of improvements.
3. Unless otherwise shown, all dimensioning is to the back of curb or edge of pavement, which ever is applicable.

**Grading Notes:**

- 1. All unpaved areas shall be adequately graded to drain at a minimum of 1.00% slope, unless otherwise noted, so that no ponding occurs.
2. Unless otherwise specified, unpaved areas shall drain away from buildings so that the perimeter curb is a minimum 6" lower than the finished floor.
3. Finish grade adjacent to curbing or sidewalk shall be 1/2" below the top of concrete and 2" below in landscaping areas.
4. When top of curb elevations are shown, the curb height is 6" unless otherwise specified.
5. The contractor shall follow the general intent of the grading plans.
6. Adequate drainage shall be maintained at all times during construction and any drainage ditch or structure disturbed during construction shall be restored to existing conditions or better.
7. The approval of these plans is not an authorization to grade adjacent properties.

**Erosion Control Notes:**

- 1. Erosion control measures shown in these plans shall be considered the very minimum required.
2. The site operator, or his representative established by a letter of delegation, shall make a visual inspection of all siltation controls and newly stabilized areas on a daily basis.
3. All sediment trapping devices shall be installed as soon as practical after the area has been disturbed.
4. During construction, contractor shall maintain best management practice (BMP). Sediment fence, hay bale barriers, or other devices shall control all storm water leaving the site.

- 5. The contractor shall be responsible for establishing temporary erosion control measures as required for different phases of construction.
6. Phase II erosion control measures shall be implemented immediately after construction of their associated improvements.
7. The contractor is responsible for removing sediment control devices after the site has been seeded and/ or sodded, and ground cover has taken root.
8. The contractor shall take all necessary measures to ensure that all disturbed areas are stabilized.
9. When hydro-mulching is required, contractor shall keep mulch moist after installation and until area shows growth.
10. Erosion control measures shall be implemented prior to any excavation or demolition work.

**Sidewalk Construction**

- 1. Sidewalks shall be doveled into and tie to any concrete structure adjacent to sidewalk (driveway, inlet box, curb) with #4 x 12" bars @ 18" O.C.
2. ADA ramps shall be constructed per the ambulatory ramp details on the pavement plan shown in these plans.

**Paving Notes:**

- 1. The pavement system shown was designed without the aid of a geotechnical investigation.
2. Sub-grade
a. Existing trees, stumps, and large tree systems, shall be grubbed and removed.
b. Paving areas shall be proof-rolled with a 20 ton roller and, if required at the time of construction, the contractor shall stabilize weak areas by over excavation and backfilling.
c. Materials excavated on site, excluding the top 6 inches, may be used as fill material, under pavement areas only, if the material is free from trash, lumps, clods, organic substance, & other foreign matter.
d. Fill material shall be placed in eight inch maximum loose lifts, with each lift wetted or dried to a moisture content range of 0% to +3% of the optimum moisture content and compacted to a uniform density of 95% of the maximum dry density as determined by ASTM D698.
e. Compaction test, for fill, shall be verified by in-place density test for each lift.
3. Asphalt
a. All asphalt paving shall be hot-mix asphalt cement (HMAC), Type D P64-22, in accordance with TxDOT Item #340.
b. No more than 20% RAP shall be used with HMAC mix design.
c. Limestone base shall be prime coating with RC-250, MC-30, CRS-1P/2P, or approved equal in accordance with TxDOT Item #300 and Item #310.
4. Portland Cement Concrete
a. All concrete, unless otherwise specified, shall have a minimum compressive strength of 3,500 psi at 28 days for pavement and 3,000 psi at 28days for non-pavement applications (ie. sidewalks, drainage flumes, and containment structures).
b. All concrete shall be vibrated when placed and not raked a distance greater than 10 feet.
c. Unless otherwise noted, joint spacing shall not exceed 15 feet in any direction to another joint or edge of pavement.
d. Expansion joints shall not exceed a maximum spacing of 45 feet and should not be placed through the middle of area inlets or junction boxes located in the pavement.
e. All joints shall be sealed with Sonoborn Sonolastic SL-1, or an approved equal.
f. Concrete shall not be placed if the air temperature is 50° F and falling or 95° F or higher.
5. Steel
a. All reinforcing steel shall be deformed billed steel bar having a minimum yield strength of not less than 60 KSI conforming to ASTM A615, Grade 60.
b. All reinforcing steel shall be free from rust or other bond reducing agents.
c. All splices in pavement and curbing steel shall be staggered and lapped 30 inches times the bar diameter or 12 inches, whichever is greater.
d. Concrete coverage for the reinforcing steel shall comply with the ACI code, latest edition. The steel shall have a minimum 1 1/2 inch clearance.

**Gas Company Notes:**

- 1. At all underground gas utility crossings, the contractor shall give the appropriate utility company a minimum of 72 hours notice so that their field representative may be present.
2. Eighteen (18) inch clearance shall be maintained between the proposed utility and the existing underground gas line.
3. For excavation near the underground gas line(s), the contractor shall cover, or remove, the bucket teeth of the excavator.

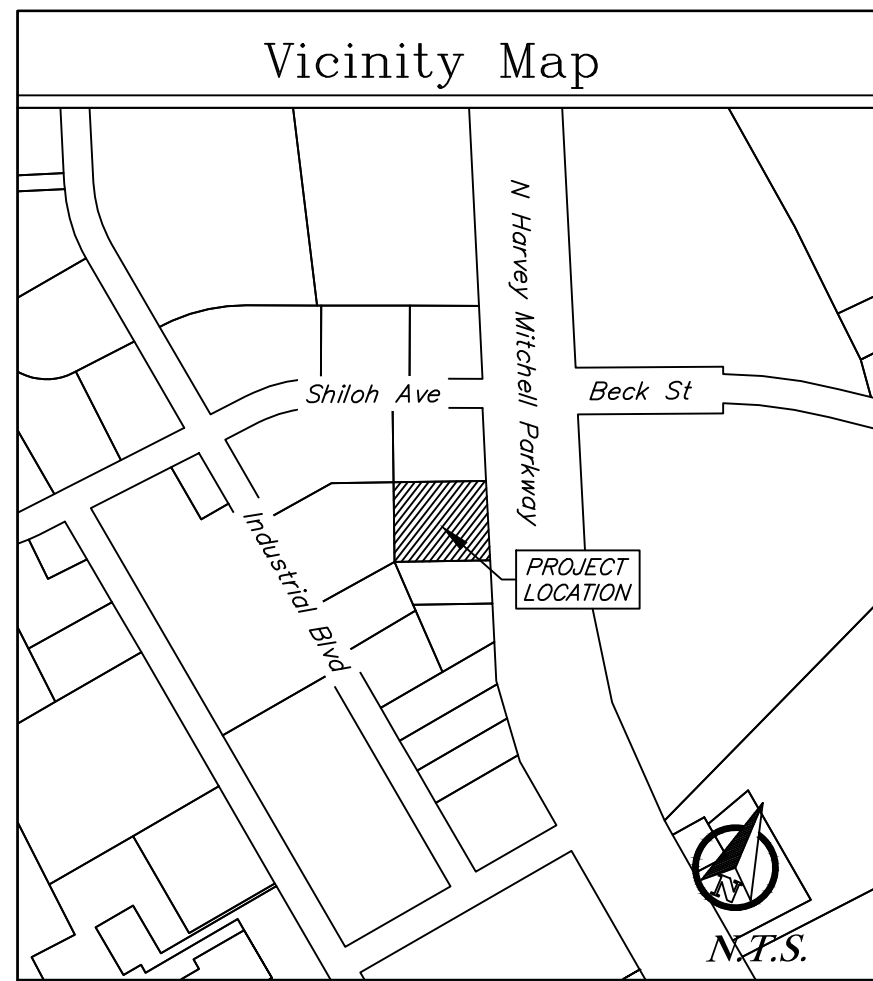
**Traffic Control Notes:**

- 1. Contractor shall provide and install traffic control devices in conformance with part VI of the Texas Manual on Uniform Traffic Control Devices (Texas MUTCD, most recent edition with revisions) during construction.
2. Lane closure will not be allowed unless approved by the TxDOT, City or County representative, as applicable.
3. The work shall be completed such that the roadway will be fully opened to traffic overnight.
4. Plastic drums shall be used for overnight delineation of off roadway work areas.

Legend
Line Types
W-B Existing Water Line, Size Noted
W Proposed Water Line, Size Noted
W Existing Water Service
S-B Existing Sanitary Sewer Line, Size Noted
S Proposed Sanitary Sewer Service
S Existing Sanitary Sewer Service
S Proposed Sanitary Sewer Service
Existing Storm Sewer Piping
Proposed Storm Sewer Piping
GAS Existing Natural Gas Line
GAS Proposed Natural Gas Line
UE Existing Underground Electrical Line
UE Proposed Underground Electrical Line
AE Existing Aerial Electrical Line
AE Proposed Aerial Electrical Line
T Existing Underground Telephone
T Proposed Underground Telephone
Existing Contour, Elevation Noted
Proposed Contour, Elevation Noted
Existing Easement
Silt Fence
Existing Chain Link Fence
Proposed Chain Link Fence
Existing Wire Fence
Existing Board Fence
Proposed Board Fence
Symbols
Hydrant
Water Valve
Water Manhole
Water Meter
Phone Pedestal
Sign
Storm Grate Inlet
S.E.T.
Sewer Manhole
Sewer Clean-Out
Mail Box
Power Pole
Abbreviations
TP Top of Pavement
TC Top of Curb
TG Top of Ground
TW Top of Walk
TI Top of Inlet
TR Top of Wall
FL Flow Line
MH Man Hole
Min Minimum
Max Maximum
N.T.S. Not to Scale
PI Point of Inflection
PT Point of Tangency
Sch Schedule
R.O.W. Right of Way
W/ With
W/OUT With Out
S.E.T. Sloped End Treatment
BM Bench Mark
TBM Temporary Bench Mark
SY Square Yard
LF Linear Foot
CO Clean Out
O.C. On Center
O.C.E.W. On Center Each Way
PSI Pounds per Square Inch
PVC Polyvinyl Chloride
RCP Reinforced Concrete Pipe
PVTM Pavement
H Horizontal
V Vertical

Notes
General Notes:
1. It is the intent of these plans to comply with all City of Bryan guidelines, details, and specifications.
Professional Engineer Seal for Glenn Jones #97600
The seal on this document was authorized by Glenn Jones #97600 on this date, March 16, 2023.
Revision/Issue Table
Firm Name and Address: J4 Engineering
Project Name and Address: Texas Communications
Date: March 2023
Scale: As Noted
Sheet: C1





- ### Site Specific Notes:
- The owner/Developer of the property is Broadband Towers, LLC. The subject property is Brazos County Industrial Park, Ph 3, Block 7, Lot 10.
  - The proposed buildings are all Type II-b, single story, w/o sprinklers.
  - This property is currently zoned Planned Development - Industrial District (PD-1) as approved by the Bryan City Council on January 25, 2003 with Ordinance no. 1385.
  - Fire flow demand is 1,500 gpm. The existing hydrant at onsite, will provide the hydrant flow for this project.
  - This lot is not within the 100-yr floodplain according to the DFIRM for Brazos County, Texas and Incorporated Areas, Map No. 48041C0193E, effective May 16, 2012.
  - The developed area for this project is 2.00 acres.
  - Solid waste pickup will be one, existing front load dumpster.
  - Proposed Signage must be permitted separately.
  - The property owner shall have direct responsibility to provide for operation, repair and maintenance of the private storm water infrastructure and detention facilities. The City of Bryan shall not be responsible for any operation, repair and maintenance of these.
  - The pond shall be operational prior to any other construction.

- ### Construction Notes:
- 12'x12' dumpster pad w/ 10' apron, 8" thick reinforced concrete w/ #5 rebar 12" OCEW and w/ 6' tall wooden fence screen.
  - All concrete to be constructed with 3,500 psi (Min) - 28 day strength portland cement concrete.
  - All items to be removed during clearing and grubbing. Remove not only the above ground elements, but all underground elements as well. All excavated material shall become the property of the contractor unless otherwise directed by the Owner. All debris must be disposed of off site.
  - Prior to grading operations, contractor is to strip the first 6" of soil. Contractor shall proof roll the entire site and remove any unstable materials according to TxDOT Specifications. Select fill is to be used in replacing objectionable material.
  - Assure positive drainage across project site to the storm water structures.
  - Normal Domestic Wastewater is anticipated to be discharged from this development.
  - Potable Water Protection - All devices, appurtenances, appliances, and apparatus intended to serve some special function and that connects to the water supply system, shall be provided with protection against backflow and contamination of the water supply system. As noted in Texas Administrative code 30 TAC 290.47 - Appendix F.
  - Irrigation System - Potable water supply must be protected by either an atmospheric or pressure vacuum breaker, or testable double check valve assembly, and installed per City Ordinance.
  - Each utility contractor is responsible for positioning and trenching of service lines. Mark all lines with utility tape. Utility contractors are responsible for coordinating with paving contractor in placement and installation of any necessary utility conduit prior to subgrade preparation. Lines requiring slope control are to be installed first. All other lines not requiring slope control or elevation shall be installed deepest first. Each contractor is responsible for knowing final determination of installation order.
  - Materials and methods for pavement markings shall conform to TxDOT Standard Specifications for Construction of Highways, Streets, and Bridges (current edition), with the following exceptions: 1) Type II marking materials need not be purchased from the Department, and 2) Glass beads may be omitted, but marking material shall be Type II paint-type material.
  - The Contractor shall be responsible for the containment and proper disposal of all liquid and solid waste associated with this project. The Contractor shall use all means necessary to prevent the occurrence of windblown litter from the project site.
  - Demolition/Construction Waste - Site is required to provide containment for waste prior to and during demolition/construction. Solid waste roll off boxes and/or metal dumpsters shall be supplied by City to permitted contractor(s) only.
  - Contractor is responsible for field verifying existing and proposed grades prior to any construction and reporting any inconsistencies to the Owner.

### Parking Analysis:

Proposed Improvements:

12106 SF	Proposed Warehouse
2140 SF	Existing Warehouse
3755 SF	Existing Office Building

New Required Parking:

16... 1 Space per 900 sf (Warehouse Space)
13... 1 Space per 300 sf (Office Space)
<b>29... Total Required</b>

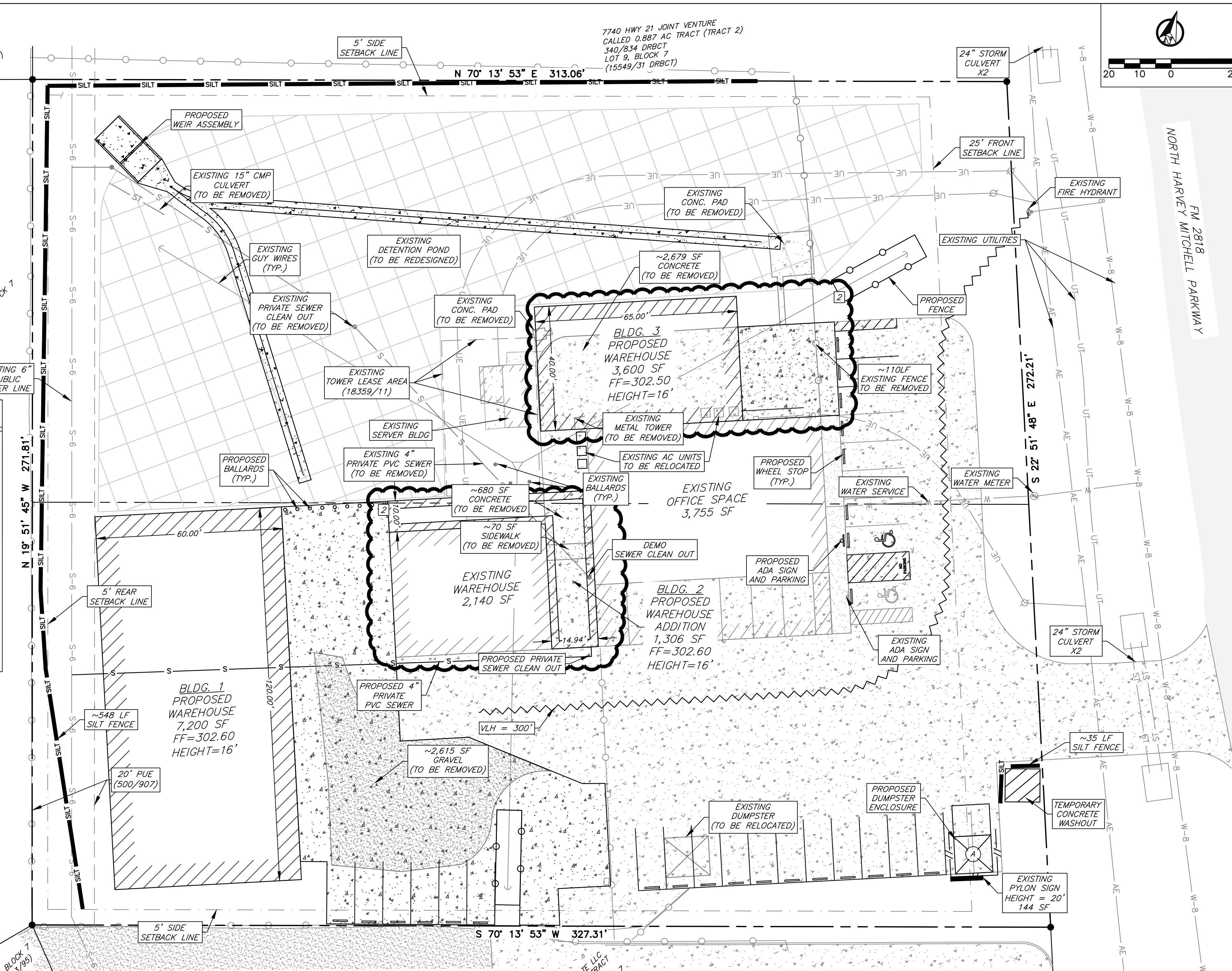
Total Provided Parking:

10... Proposed Straight In Parking
1... Proposed ADA Parking
14... Existing straight In Parking
7... Covered Parking Bays
<b>33... Total Provided</b>

- ### Utility Notes:
- Private water line and private sanitary sewer line construction shall be in accordance with the plumbing code. Cleanouts shall be installed per plumbing code.
  - Private water and sewer line service materials to be in accordance with plumbing code.
  - Contractor shall coordinate conduit and/or line installation for telecommunication providers for the site.
  - Depth of the existing water and sewer lines to be verified by the contractor.
  - Traffic control for utility work shall be provided by the contractor as needed.
  - Where electric facilities are installed, BTU has the right to install, operate, relocate, construct, reconstruct, add to, maintain, inspect, patrol, enlarge, repair, remove, and replace said facilities upon, over, under, and across the property included in the PUE, and the right of ingress and egress on the property adjacent to the PUE to access electric facilities.

### Legend

	Existing Concrete Pavement
	Existing Gravel Pavement
	Existing HMA Pavement
	Existing Sidewalk Pavement
	Proposed Concrete Pavement



# Site Plan

- ### General Notes:
- The topography shown is from field survey data.
  - Refer to Final Plat for all lot dimensions and bearings.
  - Side and Rear Setbacks are in accordance with PD Ordinance No. 1385.
  - All utilities shown are taken from the best available information based on construction utility documents obtained by J4 Engineering from City and Independent agencies and/or above ground field evidence. Shown positions may not represent as-built conditions.
  - The contractor shall be responsible for verifying the exact location of all existing underground utilities, whether shown on these plans or not. Notification of the utility companies 48 hours in advance of construction is required.
  - All construction shall be in accordance with the current of BCS Standard Specifications, Details, and Design Guidelines for Water, Sewer, Streets, and Drainage, unless otherwise noted.
  - It is the intent of these plans to comply with all City of Bryan guidelines, details, and specifications.
  - See Sheet C1 - General Notes.

The seal on this document was authorized by Glenn Jones #97600 on this date, March 16, 2023. Alteration of a sealed document with out proper notification to the responsible engineer is an offense under the Texas Engineering Practice Act.

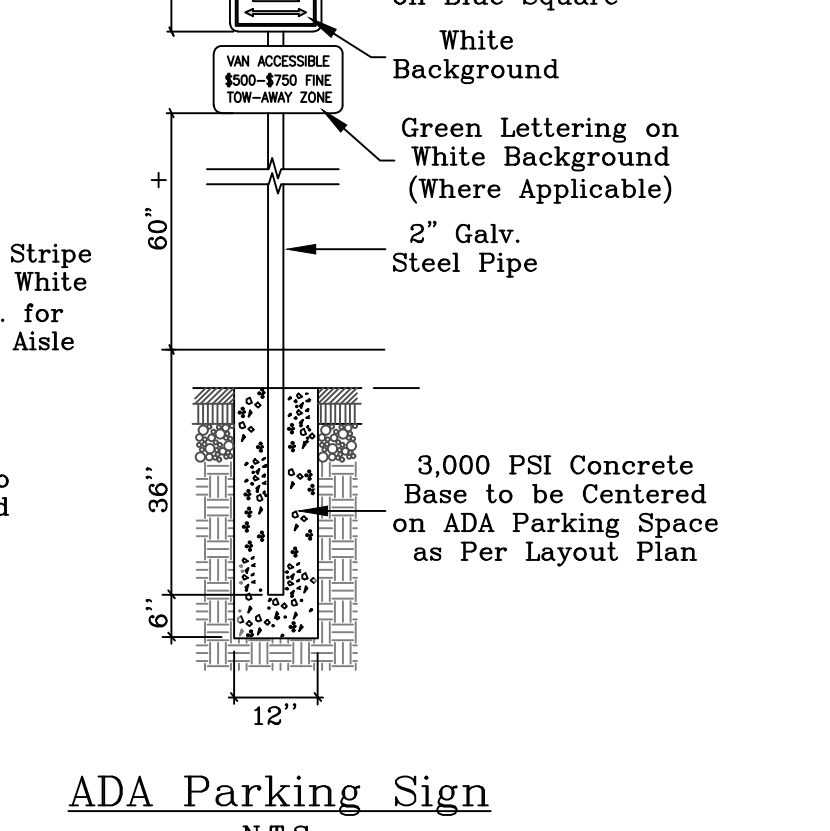
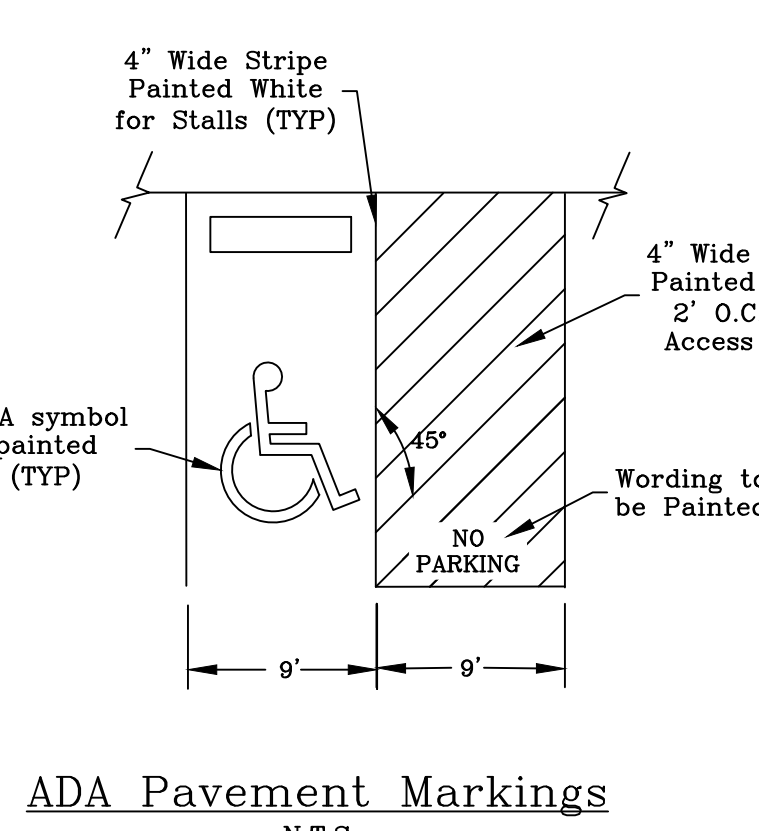
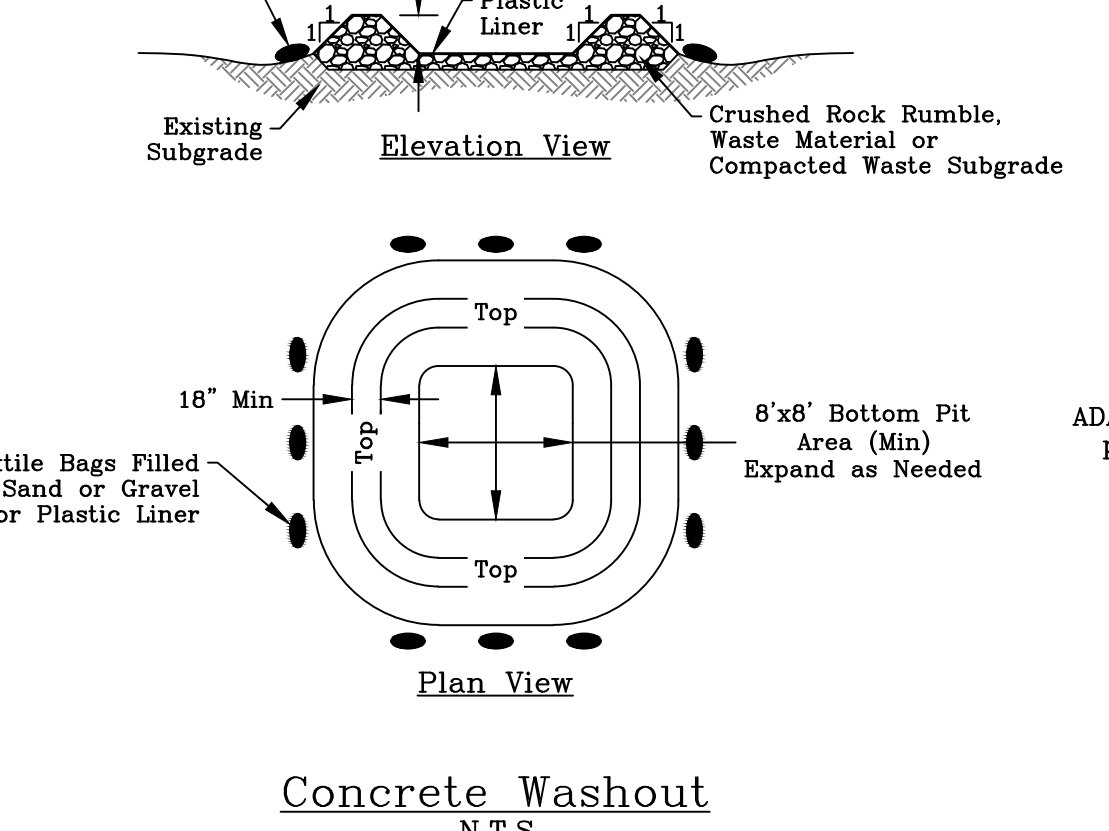
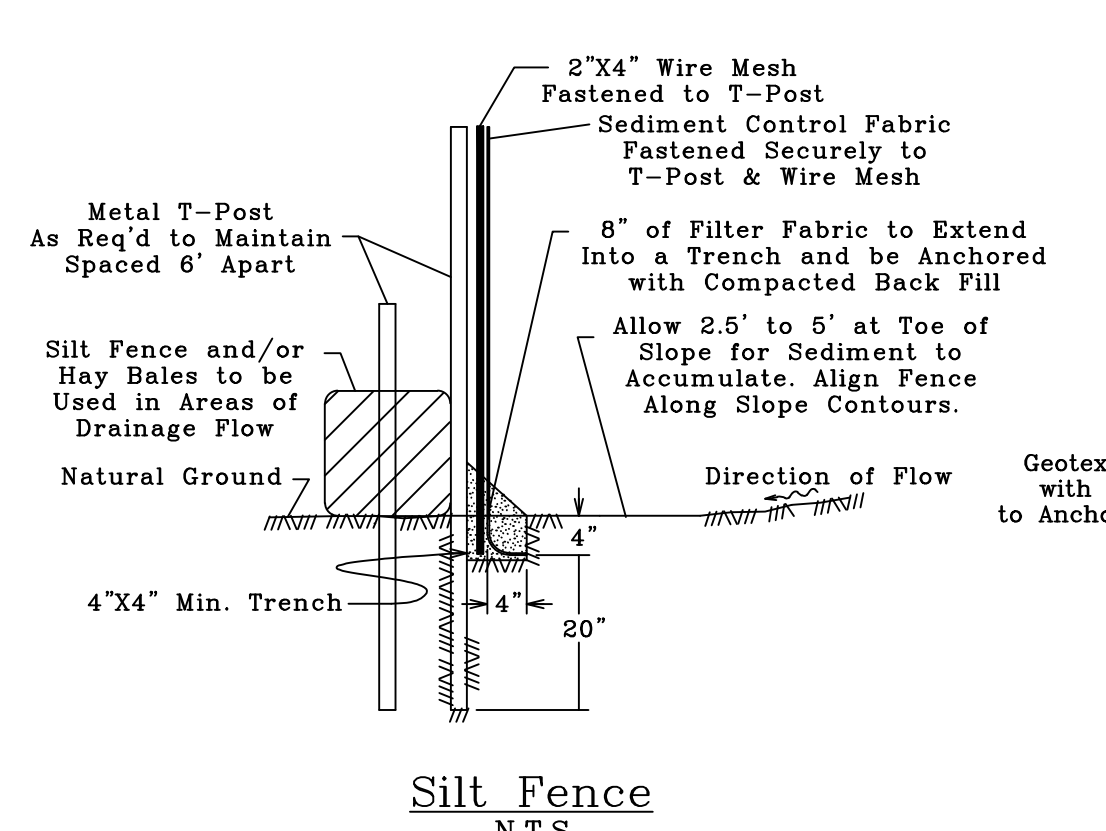
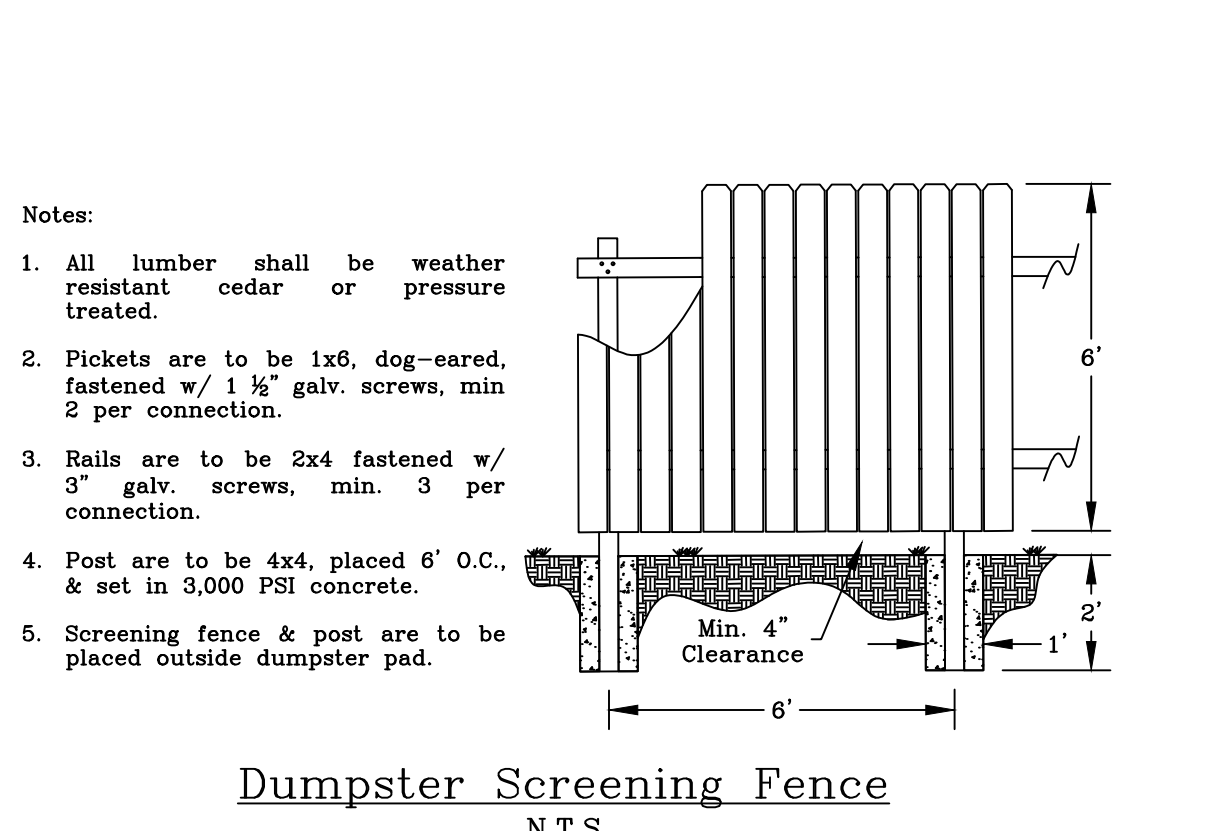
No.	Revision/Issue	Date
2	Building Layout	03/28/23
1	Building Layout	03/04/24

### NOTICE!

The contractor is specifically cautioned that the location and/or elevation of the existing utilities as shown on these plans is based on records of the various utility companies and, where possible, measurements taken in the field. The information is not to be relied upon as being exact or complete. It is the contractor's responsibility to avoid all existing utilities and repair any damaged lines, at his own expense, whether the utility is shown on these plans or not. The contractor shall notify the appropriate utility company 48 hours prior to any excavation.

Contact Information:

Texas One Call:	800-245-4545
Lone Star One Call:	800-869-8344
Texas Excavation Safety:	800-344-8377
City of Bryan:	979-209-5900
System (Digtest):	
Bryan Texas Utilities:	979-821-5865
Atmos Energy:	979-774-2506
Frontier:	979-821-4300
Suddenlink:	979-846-2229



Firm Name and Address:

**J4 Engineering**

PO Box 5192 - Bryan, Texas - 77805  
979-739-0567 www.J4Engineering.com  
Firm # 9951

Project Name and Address:

**Texas Communications**

1389 N. Harvey Mitchell Parkway  
Brazos County Industrial Park  
Phase 3, Block 7, Lot 10 - 2.00 Ac  
Bryan, Brazos County, Texas

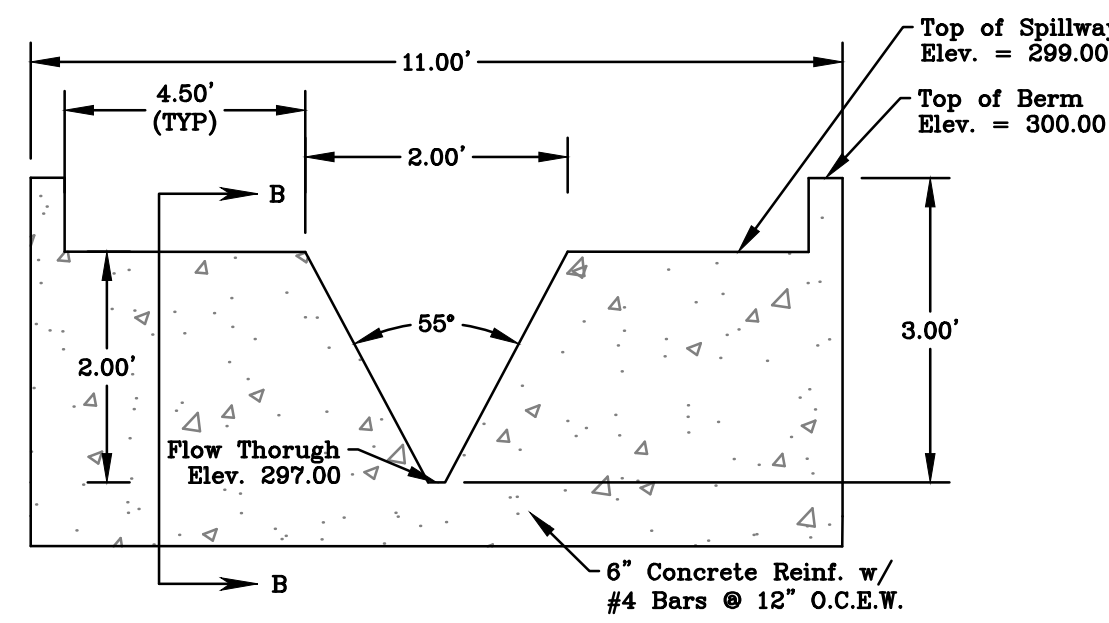
Date:	March 2023	Sheet:	C2
Scale:	As Noted		

J4 Engineering 03/26/2025 Texas Communication-Site Plan - New Layout-1.dwg J4E Project # 22-069

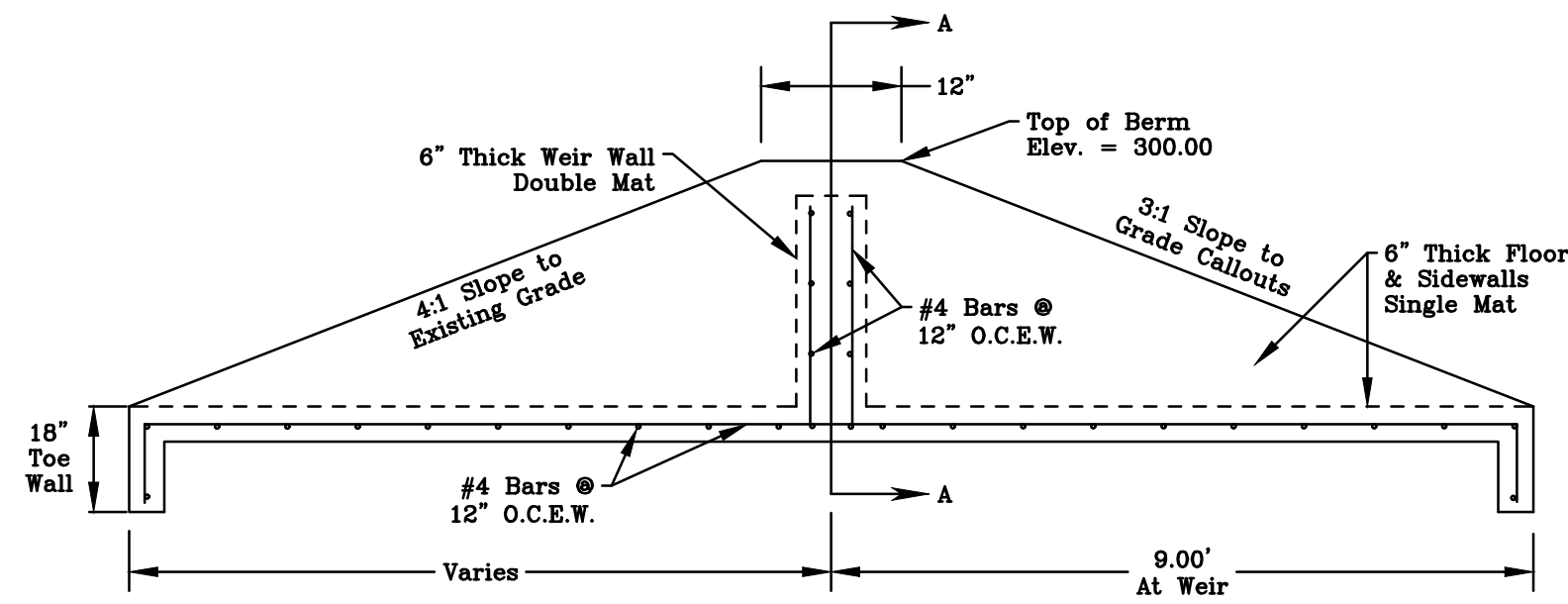


**Grading Notes:**

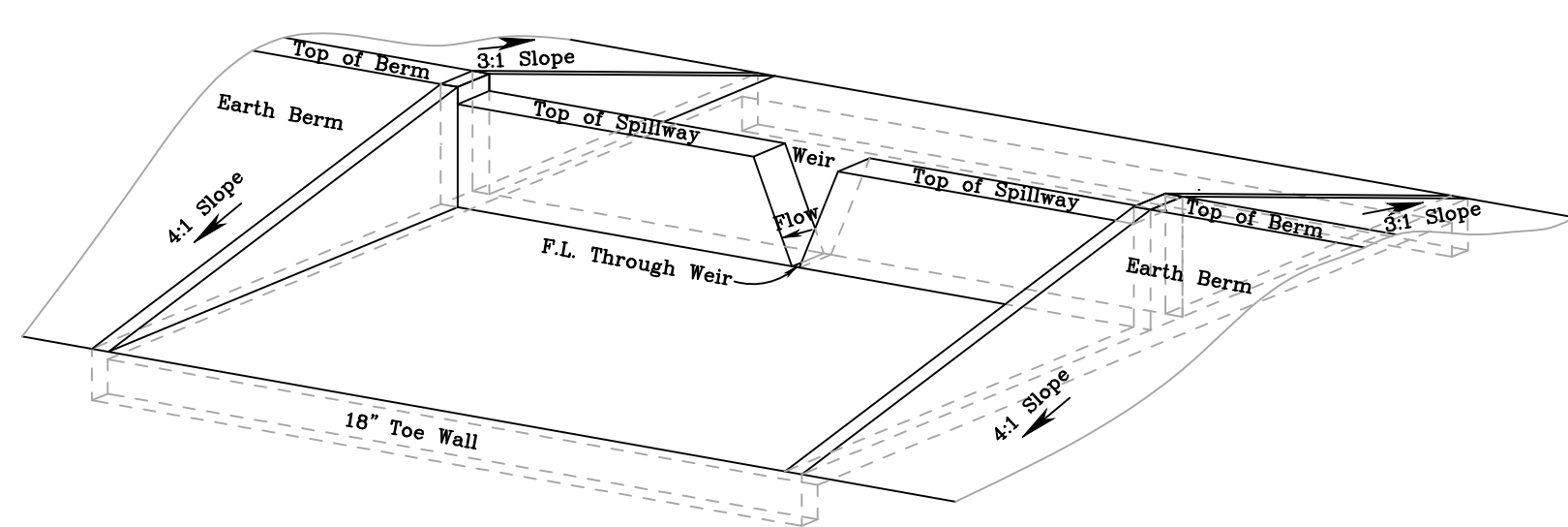
- Fill material used to achieve grade in areas to receive pavement or within the street right-of-way shall be compacted to at least 98% of the maximum dry density as determined by the standard proctor test, (ASTM D698), at a moisture content from optimum moisture content to 4% above the optimum moisture content. Areas outside of the street right-of-way shall be compacted to 95% of the maximum dry density.
- The subgrade beneath the concrete sidewalks shall be compacted and "proof-rolled". Any weak or soft areas identified by the "proof-rolling" shall be removed and replaced.
- ADA ramp slopes shall not exceed 1v:12h.
- The topography shown is from field survey data.
- Structural backfill for utility or storm drain trenches is required whenever the trench is within 5' of pavement or sidewalk.
- The contractor shall follow the general intent of the grading plans. minor adjustments to the actual elevations shown on the grading plan may be required to match existing ground elevations and structures. The proposed contour lines shown are approximate only, the design grade spot elevations should be used for construction of the site work.
- Refer to pavement plan for pavement construction details and notes.
- The contractor shall salvage all topsoil and replace it on all disturbed areas. all parking lot islands and areas adjacent to parking and sidewalk areas shall receive 6" sandy loam topsoil prior to placement of grass sod or hydromulch.
- The contractor shall field verify and locate all existing utilities on site prior to demolition.
- The contractor shall install all erosion and sediment control devices, as shown, prior to commencing demolition work.
- Should any existing utilities not shown or shown incorrectly on this plan be found on site, the contractor shall contact the design engineer immediately to discuss any possible conflicts before proceeding with any work in that area.



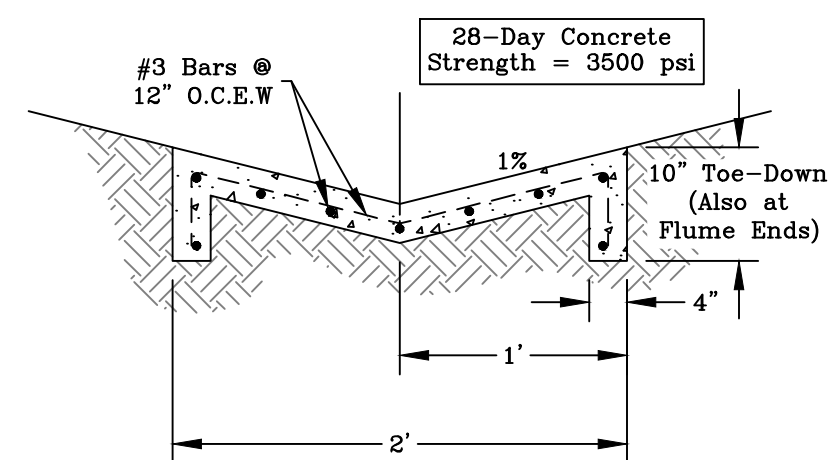
**Section A-A**  
N.T.S.



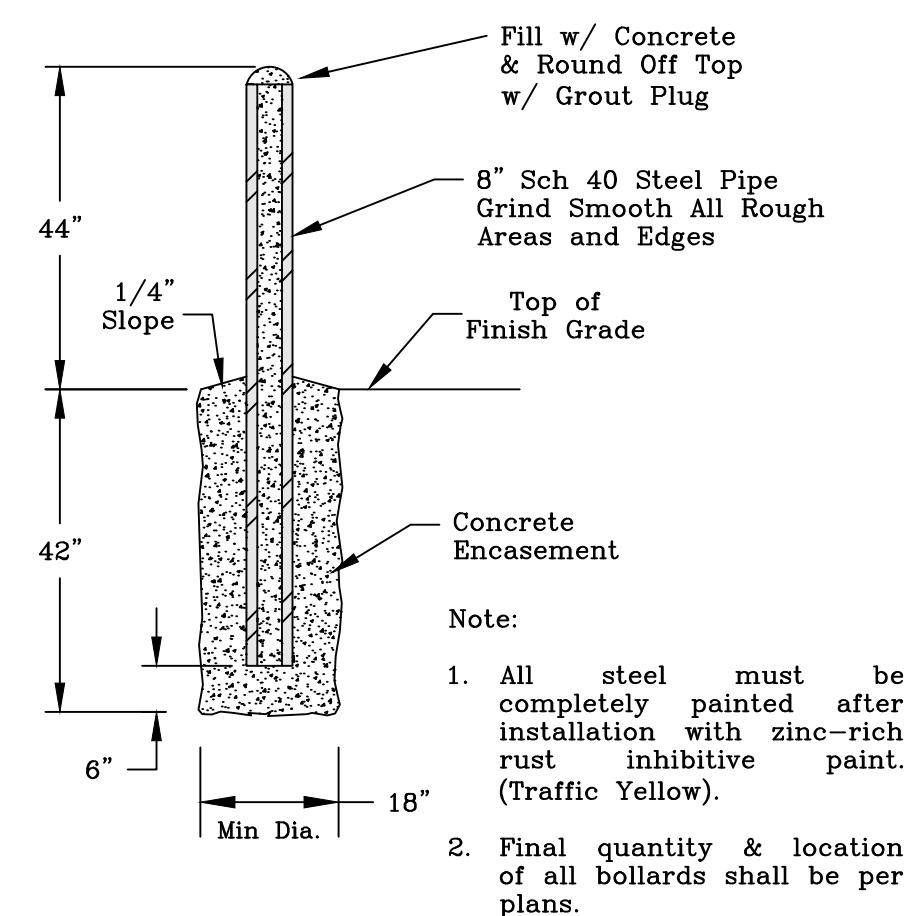
**Section B-B**  
N.T.S.



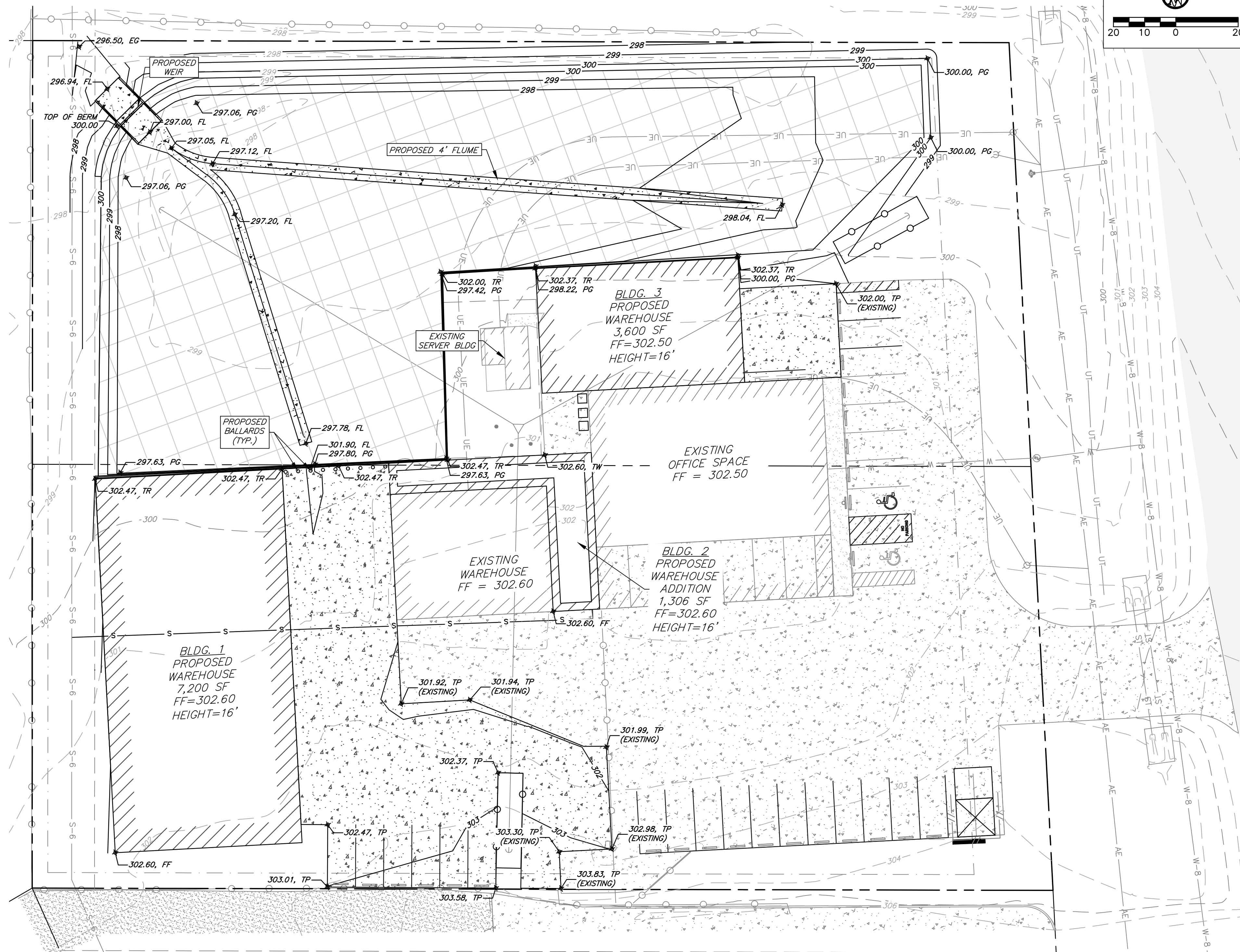
**Detention Pond Outfall Structure: V-Notch Weir**  
N.T.S.



**Typical Storm Flume Cross-Section**  
N.T.S.



**Typical Bollard Detail**  
N.T.S.

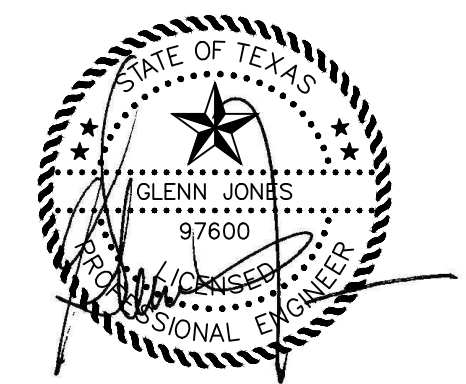


**Grading & Drainage Plan**

**General Notes:**

- The topography shown is from field survey data.
- Refer to Final Plat for all lot dimensions and bearings.
- All utilities shown are taken from the best available information based on construction utility documents obtained by J4 Engineering from City and Independent agencies and/or above ground field evidence. Shown positions may not represent as-built conditions.
- The contractor shall be responsible for verifying the exact location of all existing underground utilities, whether shown on these plans or not. Notification of the utility companies 48 hours in advance of construction is required.
- Contractor is responsible for field verifying existing and proposed grades prior to any construction and reporting any inconsistencies to the Owner.
- All construction shall be in accordance with the current BCS Standard Specifications, Details, and Design Guidelines for Water, Sewer, Streets, and Drainage, unless otherwise noted.
- The contractor shall be responsible for the containment and proper disposal of all liquid and solid waste associated with the project and shall use all means necessary to prevent the occurrence of wind blown litter.
- It is the intent of these plans to comply with all City of Bryan guidelines, specifications & details.
- See Sheet C1 - General Notes

TC - Top of Curb  
TP - Top of Pavement  
TW - Top of Sidewalk  
EG - Existing Grade  
PG - Proposed Grade  
FL - Flowline



The seal on this document was authorized by Glenn Jones #97600 on this date, March 16, 2023. Alteration of a sealed document without proper notification to the responsible engineer is an offense under the Texas Engineering Practice Act.

No.	Revision/Issue	Date
1	Building Layout	03/04/24

**Firm Name and Address:**

**J4 Engineering**  
PO Box 5192 - Bryan, Texas - 77805  
979-739-0567 www.J4Engineering.com  
Firm# 9951

**Project Name and Address:**

**Texas Communications**  
1389 N. Harvey Mitchell Parkway  
Brazos County Industrial Park  
Phase 3, Block 7, Lot 10 - 2.00 Ac  
Bryan, Brazos County, Texas

**Date:** March 2023  
**Scale:** As Noted  
**Sheet:** C3



- ### Landscape Notes:
- All trees shall be provided as container grown trees.
  - All landscaping plant material shall be guaranteed for a period of thirty days from the date of installation by contractor. After thirty days, the owner will be responsible for maintenance of all landscaping.
  - The property owner is responsible for regular weeding, mowing, fertilizing, and other maintenance of all plantings following acceptance from Contractor. The required landscaping must be maintained in a healthy, growing condition at all times.
  - Contractor is to seed all disturbed areas left unpaved and guarantee coverage of vegetation until establishment of grass. Grass type shall be Bermuda grass or Rye/Bermuda mixture.
  - All water meters, hydrants, valves, manholes, and cleanouts, on or adjacent to the property, must remain accessible during construction and upon the completion of necessary grading and landscaping.
  - "Cal." indicates caliper at 12" above the ground. Multi-trunk trees' caliper is measured with the single, largest cane.
  - All plant material shall be watered by Hose bibs located at each corner of building, no irrigation system is proposed.
  - All existing trees and underbrush that shall remain will be cut and pruned so that not to obstruct the sightline for incoming traffic.
  - To ensure the growth of trees in end islands, a minimum 24-inch soil depth and 250 cubic feet of appropriate planting medium is required per tree, with topsoil mounded to a center height. Substituted trees must be planted elsewhere on site in a qualifying location. End islands not landscaped shall be treated with brick pavers or other decorative elements.

- ### Paving Notes:
- All concrete for pavement construction shall be to the minimum depth shown on the plans and shall have a minimum 28-day compressive strength of 3,500 PSI. The maximum percentage of fly ash replacement of Portland cement shall be 20 percent by weight.
  - Item 360 of the TxDOT "Standard Specifications for Construction and Maintenance of Highways, Street, & Bridges" shall be used as a technical specification for reinforced concrete pavement.
  - Subgrade shall be stabilized per the "Subgrade Stabilization Table."
  - The subgrade beneath the concrete sidewalks shall be compacted and "proof-rolled" any weak or soft areas identified by the "proof-rolling" shall be removed and replaced.
  - A sand leveling course under concrete pavement is NOT permitted.
  - Joint sealant material to be Sonneborn SL-1 or approved equal.
  - Curing compound shall be applied uniformly to the concrete after the surface finishing is complete at the rate recommended by the manufacturer. The curing compound shall meet the requirements of TxDOT Item 526.
  - Contractor shall provide engineer with a proposed pavement expansion and contraction joint plan prior to pavement construction.
  - See Sheet C1-General Notes.

### Subgrade Stabilization Table:

PI = Plasticity Index	LL = Liquid Limit	
If PI >20 and LL <35, Then Lime Stabilize Subgrade		
If PI >15 and LL >36, Then Lime Stabilize Subgrade		
If PI <5, Then Cement Stabilize Subgrade		
Acceptable soils other than those defined by the limits above, do not require stabilization.		
PI	% Required	Material
<5	5%	Cement
<25	5%	Lime
26-33	6%	Lime
34-40	7%	Lime
>40	Determined by ASTM C977 Lime	

### Landscape Analysis:

Construction Activities:

Parking & Pavement	= 6,689 SF
Buildings	= 12,106 SF
<b>Net Total</b>	<b>= 18,795 SF</b>

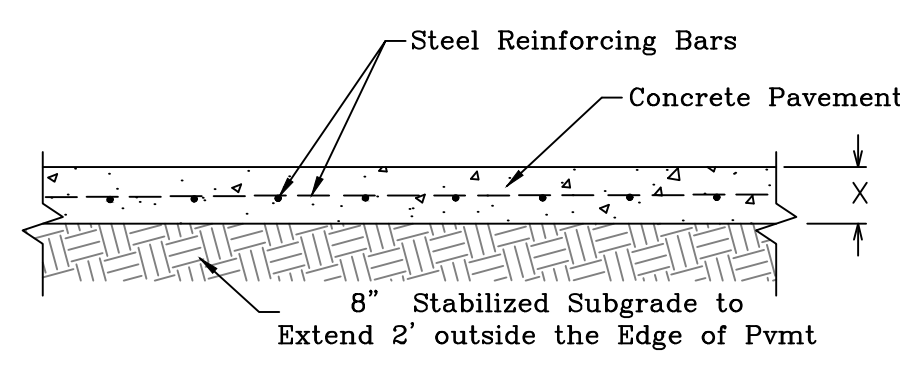
Requirements:

Building, Parking, & Pavement	18,795 SF @ 15%	= 2,820 SF
<b>Net Total</b>		<b>2,820 SF</b>

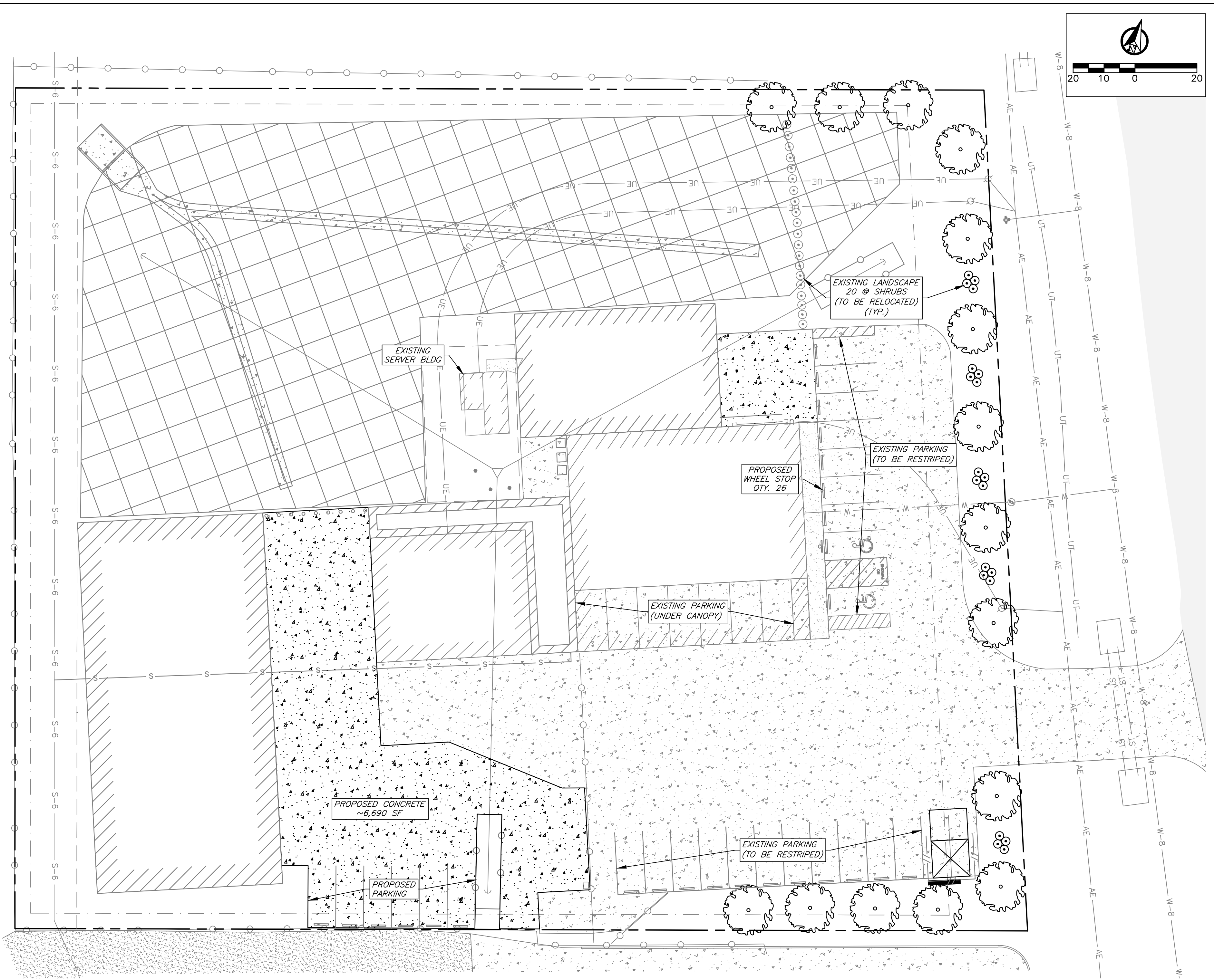
Provided:

Canopy Trees	15 @ 200 SF	= 3,000 SF
<b>Net Total</b>		<b>3,000 SF</b>

Symbol	Qty.	Common Name	Botanical Name	Size
	15	Cedar Elm	Ulmus Crassifolia	1 1/2"-3" cal.
	20	Red Tip Photina	Photina Fraseri	4' tall



1. X = 6" Pavement - use #4 rebar @ 18" O.C.E.W.  
**Typical Concrete Paving Section**  
 N.T.S.



### Legend

	Existing Concrete Pavement
	Existing Gravel Pavement
	Existing HMAC Pavement
	Existing Sidewalk Pavement
	Proposed Concrete Pavement

### Tree Staking & Planting

N.T.S.

Notes:

- Trees to be balled and burlapped or container grown.
- If container grown, remove container from tree before planting.
- Top of root ball to be 3" higher than final grade.
- Top of root ball to be exposed.

### Shrub Planting

N.T.S.

Notes:

- Container grown plants only.
- Remove containers from plants before installing.
- Place plants in prepared bed as shown.
- Edge spacing for plants varies with species and location.

Groundcover plant material, (TYP) evenly distribute the specified quantity of plants within each designated area. Maintain edge and separation distances between plant types.

3" mulch layer. With weed barrier fabric.

Prepared bedding soil backfill (TYP)

- Fully remove native soil to the size of container.
- Fully remove all construction debris, trash, rocks and any other material greater than 2" in diameter.
- Install premixed soil containing 50% native soil, 25% humus and 25% sand.
- Dig planting hole width 1.5x larger than root ball on all sides.
- Scarfify root ball.

Make sure that plant root ball is fully planted to the depth of the container in prepared planting mix.

Do not plant groundcover in mulch layer only.

### PVMT Contraction Joint Detail

N.T.S.

Note:

- Contraction joint sealant to be Sonneborn SL-1 or approved equal.
- Contraction joints shall be spaced at 15' maximum intervals.

### PVMT Expansion Joint Detail

N.T.S.

Note:

- Expansion joint sealant to be Sonneborn SL-1 or approved equal.
- Expansion joints shall be spaced at 45' maximum intervals.

## Landscape & Payment Plan

### General Notes:

- The topography shown is from field survey data.
- Refer to Final Plat for all lot dimensions and bearings.
- All utilities shown are taken from the best available information based on construction utility documents obtained by J4 Engineering from City and Independent agencies and/or above ground field evidence. Shown positions may not represent as-built conditions.
- The contractor shall be responsible for verifying the exact location of all existing underground utilities, whether shown on these plans or not. Notification of the utility companies 48 hours in advance of construction is required.
- Contractor is responsible for field verifying existing and proposed grades prior to any construction and reporting any inconsistencies to the Owner.
- All construction shall be in accordance with the current BCS Standard Specifications, Details, and Design Guidelines for Water, Sewer, Streets, and Drainage, unless otherwise noted.
- The contractor shall be responsible for the containment and proper disposal of all liquid and solid waste associated with the project and shall use all means necessary to prevent the occurrence of wind blown litter.
- It is the intent of these plans to comply with all City of Bryan guidelines, specifications & details.
- See Sheet C1 - General Notes

1	Building Layout	03/04/24
No.	Revision/Issue	Date

Firm Name and Address:

**J4 Engineering**  
 PO Box 5192 - Bryan, Texas - 77805  
 979-739-0567 www.J4Engineering.com  
 Firm# 9951

Project Name and Address:

**Texas Communications**  
 1389 N. Harvey Mitchell Parkway  
 Brazos County Industrial Park  
 Phase 3, Block 7, Lot 10 - 2.00 Ac  
 Bryan, Brazos County, Texas

Date: *March 2023* Sheet: **C4**  
 Scale: *As Noted*

J4 Engineering 03/26/2025 Texas Communication-Site Plan - New Layout-1.dwg J4E Project # 22-059